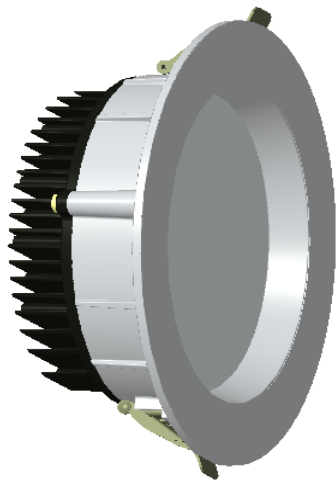


Specification

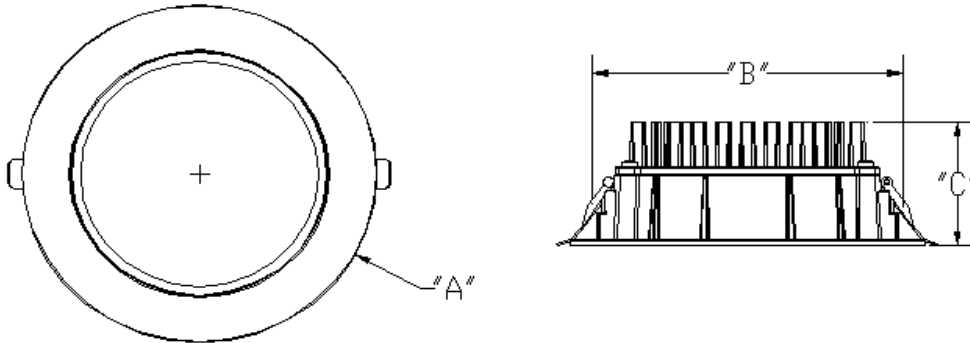
Specs	Model No.			
	LED129-10-UNV	LED154-15-UNV	LED180-20-UNV	LED250-30-UNV
Size	Ø125*60mm	Ø190*70mm	Ø190*70mm	Ø225*70mm
Cut Hole	110mm	170mm	170mm	205mm
Lumen	955lm@4000K	1584lm@4000K	2670lm@4000K	3734lm@4000K
Light Efficacy	112lm/W@4000K	121lm/W@4000K	121lm/W@4000K	116lm/W@4000K
Color(CCT)	3000K-5000K			
CRI	>80			
Beam Angle	93°	100°		
Working Temperature	-10°C~+45°C			
Input Voltage	120-277V AC			
Frequency	50/60Hz			
Power	8W	13W	23W	33W
PF	>0.9			
IK	06			
IP	20			
Max harmonic wave	20%			
Control/Dim Type	0/1-10V Dimming			
L70 Lifespan	50000H			

Note: The lumens test based on 4000K



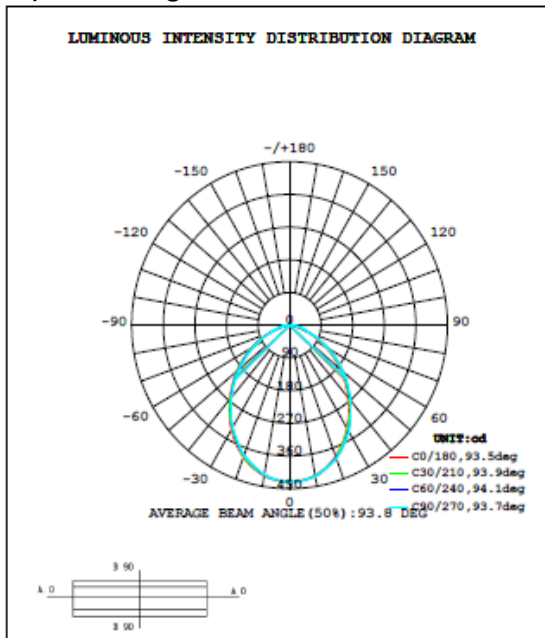
Remote Driver

Dimension

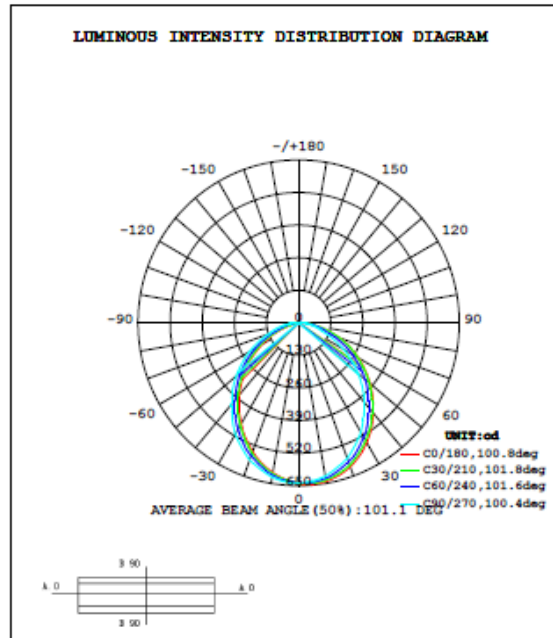


Division	LED129-10-UNV	LED154-15-UNV	LED180-20-UNV	LED250-30-UNV
Ceiling Cut-out	Ø110±5	Ø170±5	Ø170±5	Ø205±5
"A"	Ø125	Ø190	Ø190	Ø225
"B"	105	165	165	200
"C"	60	70	70	70

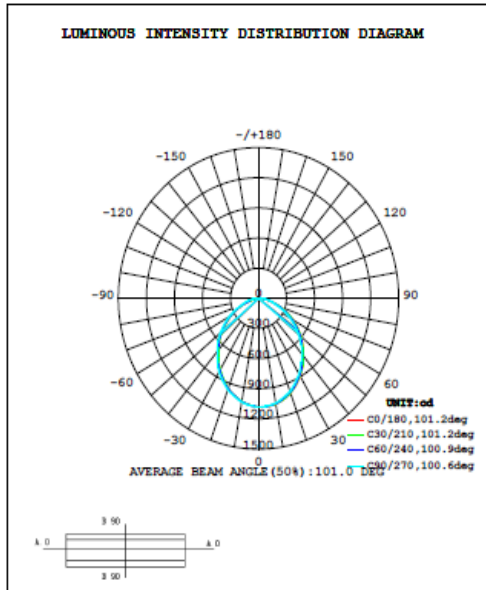
Optics Diagram



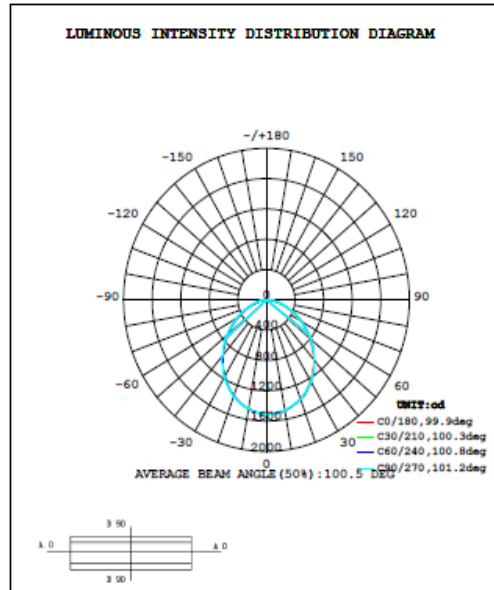
LED129-10-UNV



LED154-15-UNV



LED180-20-UNV



LED250-30-UNV

Packaging

No.	Model	Packing Q'ty	N.W/G.W	Size(L*W*H)
1	LED129-10-UNV	18pcs	7.4/9.5Kg	L530*W360*H300mm
2	LED154-15-UNV	12pcs	10.1/12.7Kg	L670*W455*H255mm
3	LED180-20-UNV	12pcs	10.5/13.0Kg	L670*W455*H255mm
4	LED250-30-UNV	6pcs	7.3/9.0Kg	L535*W275*H365mm

