

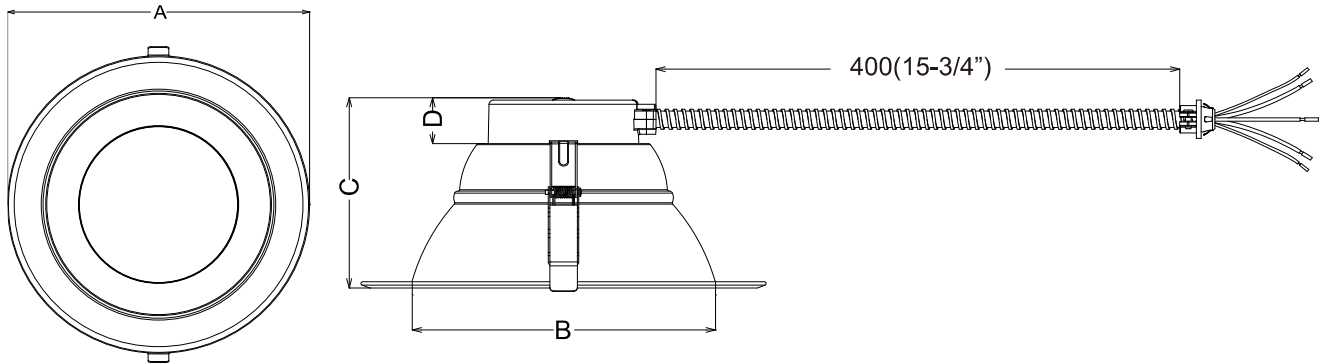
## 1. Specification

Specs	Model No.			
	LEDC12U04	LEDC16U06	LEDC22U08	LEDC33U10
Size	Ø150*90mm	Ø210*110mm	Ø260*124mm	Ø290*140mm
Cut Hole	100~130mm	160~190mm	200~240mm	225~270mm
Weight	0.3kg	0.51kg	0.61kg	0.75kg
Material	PC/Aluminium			
Lumen at 4000K	570/760/1140lm 6/8/12W	800/1200/1600lm 8/12/16W	1260/1680/2310lm 12/16/22W	2200/2800/3300lm 22/28/33W
LED	SMD2835			
Color(CCT)	3000K / 4000K / 5000K			
CRI	80			
Beam Angle	80°	80°	90°	90°
Working Temperature	25°C			
Storage Temperature	-20°C ~ +65°C			
Ingress Protection	IP54, Wet location			
Driver	Built-in			
Installation	Recessed			
Input Voltage	120-277V AC			
Frequency	60Hz			
Tunable Power	6/8/12W	8/12/16W	12/16/22W	22/28/33W
PF	>0.9			
Control/Dim Type	0-10V Dimming and Power Tunable & CCT Tunable			
Certification	ETL			
Lifetime	50000H			

## 2. Photo



### 3. Dimension



Division	LEDC12U04	LEDC16U06	LEDC22U08	LEDC33U10
"A"	150mm	210mm	260mm	290mm
"B"	97mm	160mm	200mm	219mm
"C"	90mm	110mm	124mm	140mm
"D"	39mm	39mm	39mm	39mm

### 4. Packaging

No.	Model	Packing Q'ty	N.W	G.W	Size(L*W*H)
1	LEDC12U04	24pcs	8.48kg	10.28kg	53.9*33.6*51.3cm
2	LEDC16U06	12pcs	8.01kg	8.98kg	47*45.4*45cm
3	LEDC22U08	12pcs	9.42kg	10.03kg	58*55.2*49cm
4	LEDC33U10	6pcs	6.05kg	7.21kg	62.8*33*53.8cm

### 5. CCT & Power Tunable

9 products in 1

Power optional....

 22W 3000K  
 22W 4000K  
 22W 5000K  
 28W 3000K  
 28W 4000K  
 28W 5000K  
 33W 3000K  
 33W 4000K  
 33W 5000K

 6W-8W-12W—-4"  
 8W-12W-16W—-6"  
 12W-16W-22W—-8"  
 22W-28W-33W—-10"
