

# **Product Specification of LED Emergency Light**

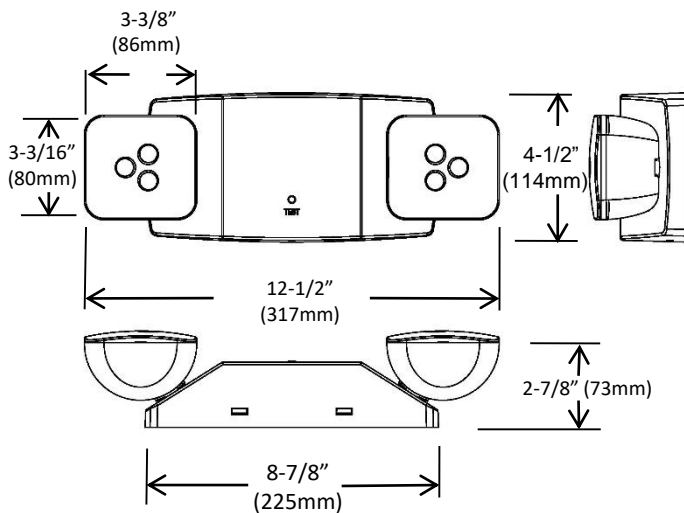
**Model No. : EXL-780L series**

June 28, 2020

## Product Photo



## Product Dimension



## Order Guide

Family	Input Voltage	Lumen Output	Test Facility	Housing Color
EXL-780L	Blank: 120-277V	Blank: Standard model	Manual test	White
	D: 120/277V	-HO: High lumen output model		

## Product Feature

### Housing

- Injection-molded thermoplastic PVC housing.
- Plastic enclosure with 5VA flame retardant.
- Compact and decorative design.
- Two fully adjustable glare-free shape light heads for emergency light.

### Electrical

- 120/277VAC 60Hz Dual voltage operation.
- 120-277VAC universal input voltage operation.
- Brownout protection.
- Over load/short circuit protection.
- Test switch and charge rate indicator.
- 3.6V Long-life, maintenance-free, rechargeable Ni-Cad battery.
- 24 hours recharge after 90min. discharge duration.

### Illumination

- SMD 2835 LED, CCT 5700K, L70 50,000 hours.
- Standard model deliver 240lm at discharge period.
- High lumen model deliver 400lm at discharge.

### Mounting

- Suitable for wall mount and ceiling mount.
- Top and side knockout for conduit applications.

### Note

- Lifetime of battery has 500 recycle times.
- Suitable for use in 10°C-40°C ambient temperature, suitable for damp location.
- UL listed according standard UL924.
- Meets or exceed all requirement in NFPA 70, NFPA 101 life safety code.

## Model List and Parameters

No.	Model	Test facility	Battery	Recharge time	Emergency time	Input			Output	
						Voltage	Hz	Power consumption (maintenance mode)	Lamp head	Luminous flux
1	EXL-780LD	Manual test	Ni-Cad 3.6V 1000mAh	24 hours	90 minutes	120/277V	50/60Hz	0.8W	1W*2pcs	240lm
2	EXL-780LD-HO	Manual test	Ni-Cad 3.6V 1000mAh*2pcs	24 hours	90 minutes	120/277V	50/60Hz	1.0W	1.8W*2pcs	400lm
3	EXL-780L	Manual test	Ni-Cad 3.6V 1000mAh	24 hours	90 minutes	120-277V	50/60Hz	1.5W	1W*2pcs	240lm
4	EXL-780L-HO	Manual test	Ni-Cad 3.6V 1000mAh*2pcs	24 hours	90 minutes	120-277V	50/60Hz	2.5W	1.8W*2pcs	400lm

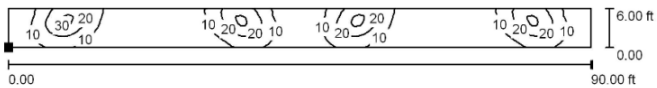
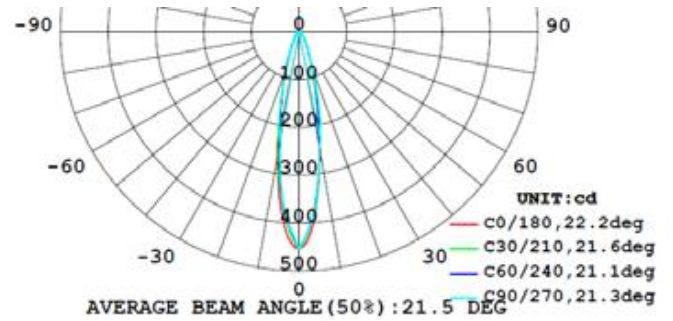
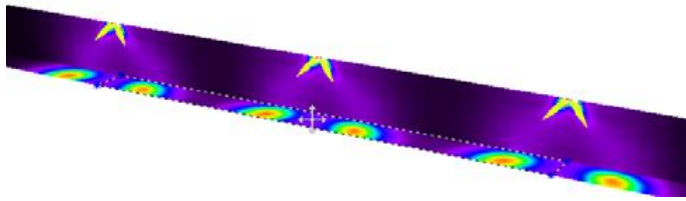


**LITE**  
**Electronics**<sup>TM</sup>

EXL-780L Series LED Emergency Light Specification

## Photometric

Wall mounting, mounting height 7.5ft (2.2m) / 10ft (3m)



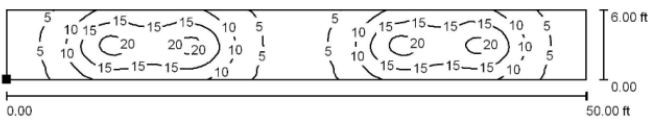
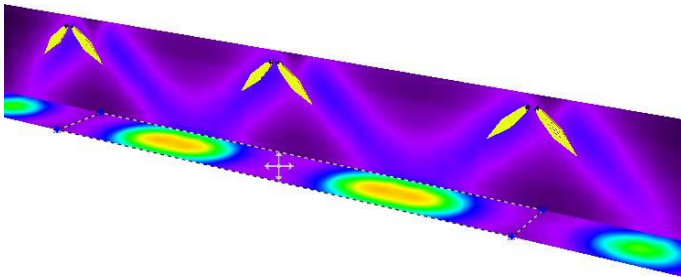
Position of surface in room:  
 Marked point: (30.000 ft, 0.000 ft, 0.000 ft)

Grid: 128 x 32 Points

$E_{av}$  [lx]       $E_{min}$  [lx]       $E_{max}$  [lx]       $u0$   
 11                      1.99                      32                      0.186

No.	Model	Center to Center Spacing (7.5ft)	Center to Center Spacing (10ft)	Lumen output
1	EXL-780L	25 feet (7.6m)	24 feet (7.3m)	240lm
2	EXL-780L-HO	45 feet (13.7m)	43 feet (13.1m)	400lm

Ceiling mounting, mounting height 10ft (3m)



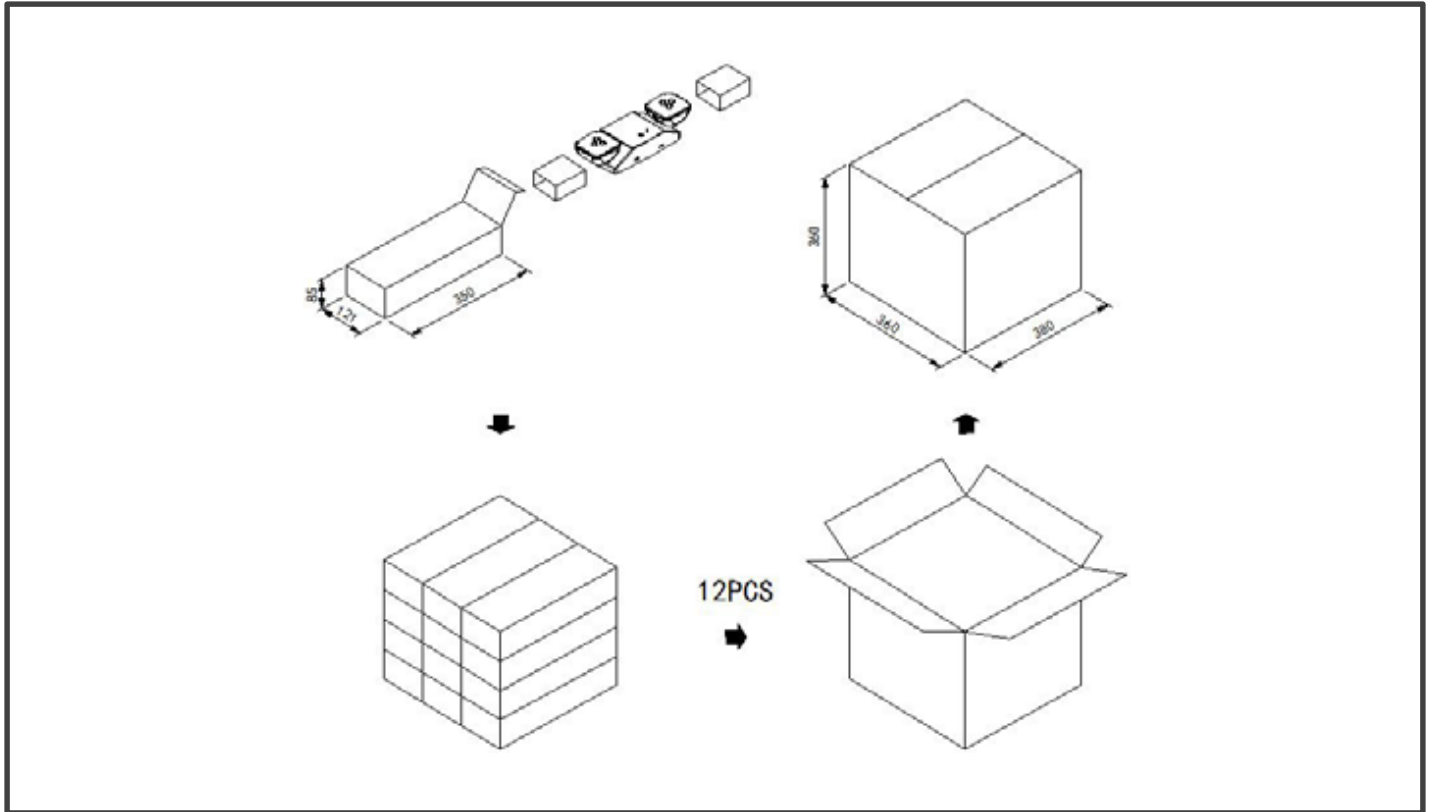
Position of surface in room:  
 Marked point: (25.000 ft, 0.000 ft, 0.000 ft)

Grid: 128 x 32 Points

$E_{av}$  [lx]       $E_{min}$  [lx]       $E_{max}$  [lx]       $u0$   
 11                      3.19                      21                      0.299

No.	Model	Center to Center Spacing	Lumen output
1	EXL-780L	24 feet (7.3m)	240lm
2	EXL-780L-HO	43 feet (13.1m)	400lm

## Packaging



No.	Model	Packing Qty	N.W/G.W	Size(L*W*H)
1	EXL-780L	12pcs	5.3kg / 7.4kg	380(L)*360(W)*360(H)mm
2	EXL-780L-HO	12pcs	5.3kg / 7.4kg	380(L)*360(W)*360(H)mm