

Product Specification of LED Emergency Light

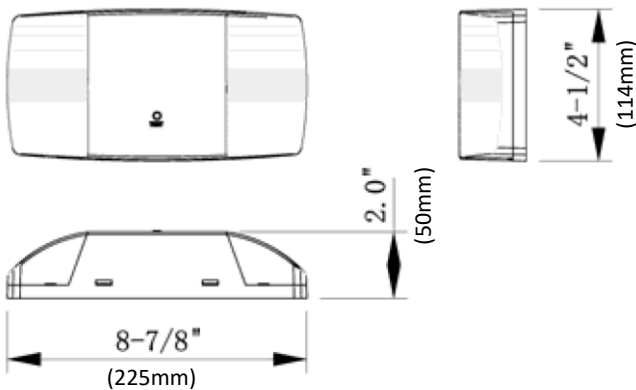
Model No. : EXL-680L series

March 23, 2021

Product Photo



Product Dimension



Order Guide

Family	Input Voltage	Lumen Output	Test Facility	Housing Color
EXL-680L	Blank: 120-277V	Blank: Standard model	Manual test	White
	D: 120/277V	-HO: High lumen output model		

Product Feature

Housing

- Injection-molded thermoplastic PVC housing.
- Plastic enclosure with 5VA flame retardant.
- Compact and decorative design.
- Two fixed glare-free shape light heads for emergency light.

Electrical

- 120/277VAC 60Hz Dual voltage operation.
- 120-277VAC universal input voltage operation.
- Brownout protection.
- Over load/short circuit protection.
- Test switch and charge rate indicator.
- 3.6V Long-life, maintenance-free, rechargeable Ni-Cad battery.
- 24 hours recharge after 90min. discharge duration.

Illumination

- SMD 2835 LED, CCT 5700K, L70 50,000 hours.
- Standard model deliver 210lm at discharge period.
- High lumen model deliver 360lm at discharge.

Mounting

- Suitable for wall mount and ceiling mount.
- Top and side knockout for conduit applications.

Note

- Lifetime of battery has 500 recycle times.
- Suitable for use in 10°C-40°C ambient temperature, suitable for damp location.
- UL listed according standard UL924.
- Meets or exceed all requirement in NFPA 70, NFPA 101 life safety code.

Model List and Parameters

No.	Model	Test facility	Battery	Recharge time	Emergency time	Input			Output	
						Voltage	Hz	Power consumption (maintenance mode)	Lamp head	Luminous flux
1	EXL-680LD	Manual test	Ni-Cad 3.6V 1000mAh	24 hours	90 minutes	120/277V	50/60Hz	0.8W	1W*2pcs	210lm
2	EXL-680LD-HO	Manual test	Ni-Cad 3.6V 1000mAh*2pcs	24 hours	90 minutes	120/277V	50/60Hz	1.0W	1.8W*2pcs	360lm
3	EXL-680L	Manual test	Ni-Cad 3.6V 1000mAh	24 hours	90 minutes	120-277V	50/60Hz	1.5W	1W*2pcs	210lm
4	EXL-680L-HO	Manual test	Ni-Cad 3.6V 1000mAh*2pcs	24 hours	90 minutes	120-277V	50/60Hz	2.5W	1.8W*2pcs	360lm

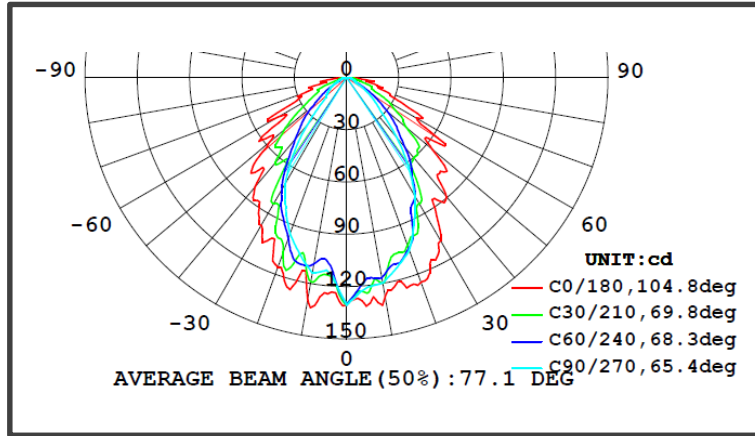


LITE
ElectronicsTM

EXL-680L Series LED Emergency Light Specification

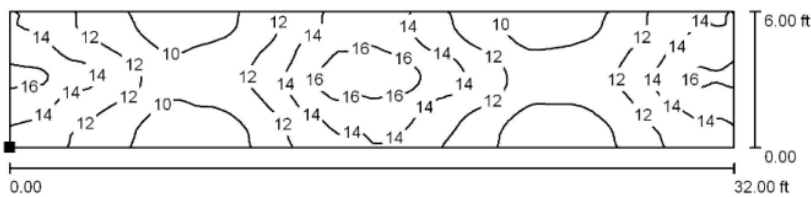
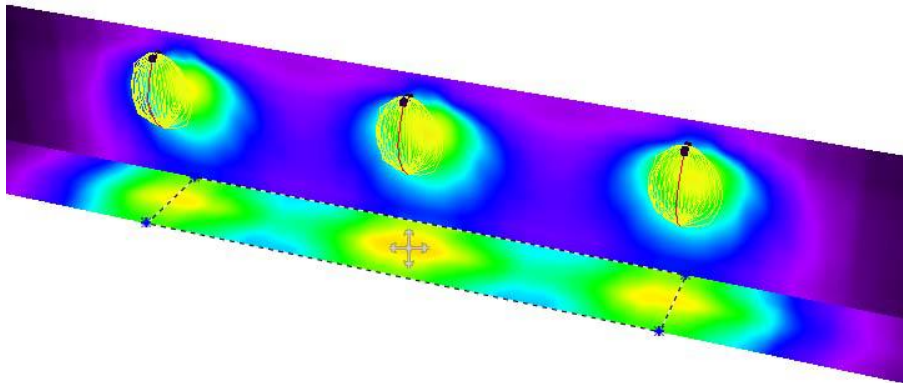
Photometric

Luminous intensity distribution



Center to Center Spacing

Ceiling mounting, mounting height 10ft



Position of surface in room:
Marked point: (34.000 ft, 0.000 ft, 0.000 ft)



Grid: 128 x 32 Points

E_{av} [lx]
12

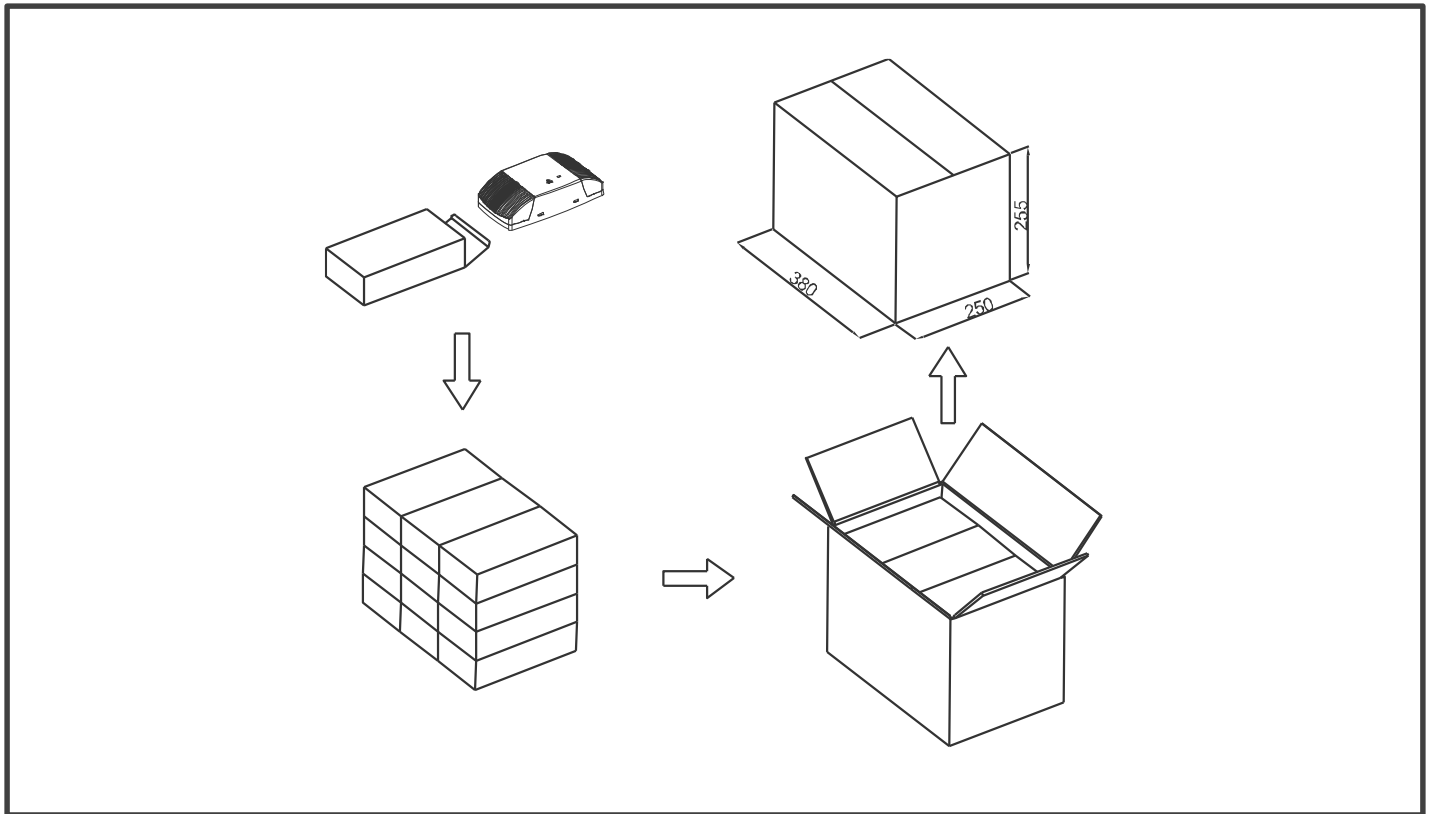
E_{min} [lx]
8.52

E_{max} [lx]
18

u_0
0.684

No.	Model	Center to Center Spacing	Lumen output
1	EXL-680L	16 feet (4.8m)	210lm
2	EXL-680L-HO	32 feet (9.7m)	360lm

Packaging



No.	Model	Packing Qty	N.W/G.W	Size(L*W*H)
1	EXL-680L	12pcs	4.3kg / 5.5kg	380(L)*250(W)*255(H)mm
2	EXL-680L-HO	12pcs	4.3kg / 5.5kg	380(L)*250(W)*255(H)mm