

Product Specification of LED Emergency Light

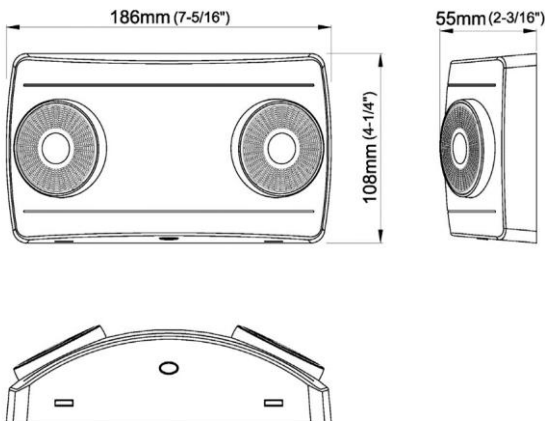
Model No. : EXL-611L series

March 18, 2020

Product Photo



Product Dimension



Order Guide

Family	Test Facility	Lumen Output	Housing Color	Input Voltage
EXL-611L	Manual test	Blank: Standard model -HO: High lumen output model	White	120-277V

Product Feature

Housing

- Injection-molded thermoplastic ABS housing.
- Plastic enclosure with 5VA flame retardant.
- Quick connector design for easy installation.
- Two fully adjustable glare-free square shape light heads for emergency light.

Electrical

- 120/277VAC universal voltage operation.
- Test switch and charge rate indicator.
- 3.6V long-life, maintenance-free, rechargeable Ni-Cad battery.
- 24hours or 48hours recharge after 90 minutes discharge.

Illumination

- SMD high power LED, CCT 6000K, L70 35,000 hours.
- 1 watts high power LED per head for standard model, fixture provide 200lm on initial discharge.
- 2 watts high power LED per head for high lumen model, fixture provide 400lm on initial discharge.

Mounting

- Suitable for wall mounting, ceiling mounting.
- Top and side knockout for conduit applications.

Listing

- lifetime of battery has 500 recycle times.
- Suitable for use in 10°C-40°C ambient temperature, suitable for damp location.
- UL listed according standard UL924.
- Meets or exceed all requirement in NFPA 70, NFPA 101 life safety code.

Model List and Parameters

No.	Model	Test facility	Battery	Recharge time	Emergency time	Input			Output	
						Voltage	Hz	Power consumption (maintenance mode)	Lamp head	Luminous flux
1	EXL-611L	Manual test	Ni-Cad 3.6V 900mAh	24 hours	90 minutes	120-277V	60Hz	0.8W	1W*2pcs	200lm
2	EXL-611L-HO	Manual test	Ni-Cad 3.6V 900mAh*2pcs	24 hours	90 minutes	120-277V	60Hz	1.5W	2W*2pcs	400lm

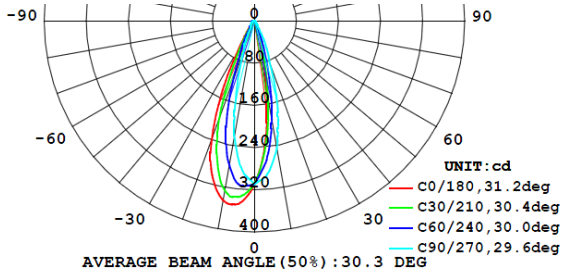


LITE
ElectronicsTM

EXL-611L Series LED Emergency Light Specification

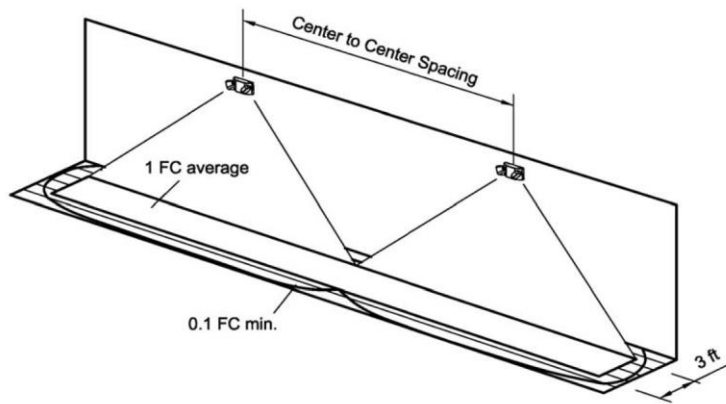
Photometric

Luminous intensity distribution



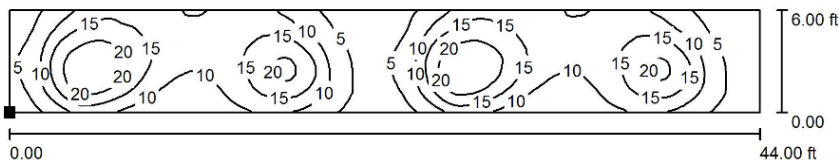
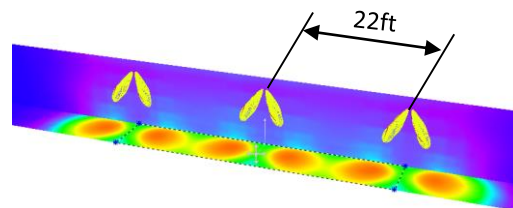
Center to Center Spacing

NFPA 101 requires 1.0 foot-candle average and 0.1 foot-candle minimum with a 40:1 maximum/minimum ratio. The corridor used is 150 feet long, 10 feet ceiling with a 6 feet wide walkway and 6&3 feet path of egress. The reflectance are 80% ceiling, 50% walls and 20% floors. The fixture mounting height is 7.5 feet.



No.	Model	Spacing distance 6ft path of egress	Spacing distance 3ft path of egress	Lumen Output
1	EXL-611L	22 feet	25 feet	200lm
2	EXL-611L-HO	43 feet	48 feet	400lm

**Illuminance calculate data
EXL-611L, 6ft wide corridor,
6ft path of egress**



Position of surface in room:
Marked point: (28.000 ft, 0.000 ft, 0.000 ft)

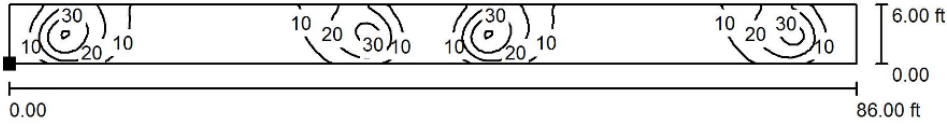
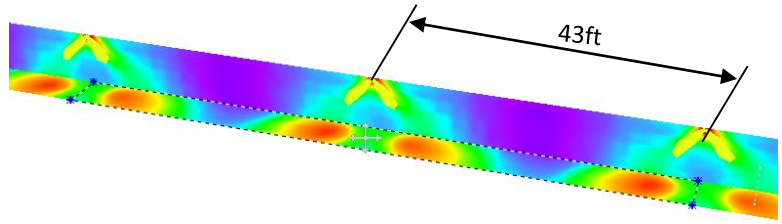


Grid: 128 x 16 Points

E_{av} [lx] 12 E_{min} [lx] 2.88 E_{max} [lx] 25 $u0$ 0.243

Photometric

Illuminance calculate data
 EXL-611L-HO, 6ft wide corridor,
 6ft path of egress



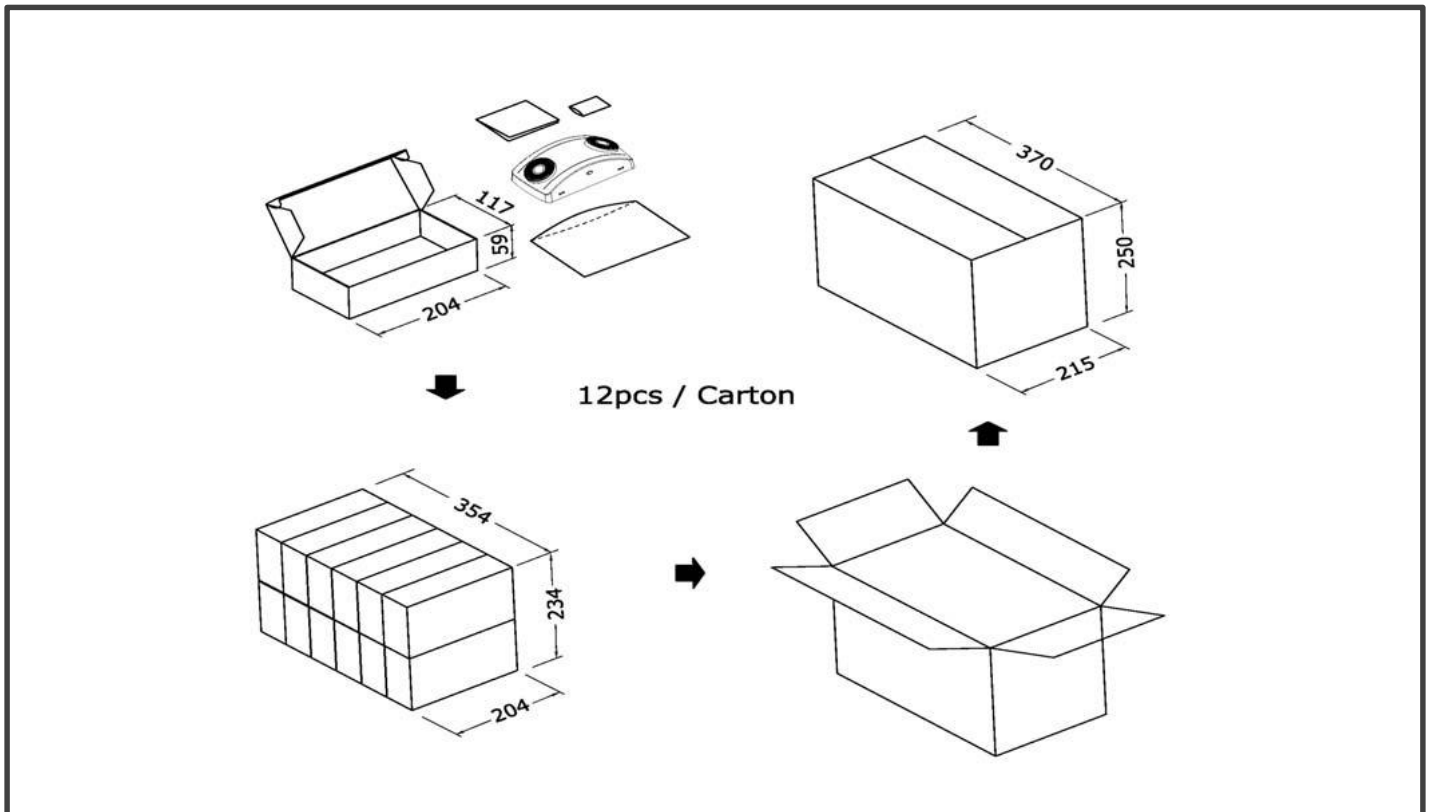
Position of surface in room:
 Marked point: (7.000 ft, 0.000 ft, 0.000 ft)



Grid: 128 x 16 Points

E_{av} [lx]	E_{min} [lx]	E_{max} [lx]	$u0$
12	1.37	42	0.117

Packaging



No.	Model	Packing Qty	N.W/G.W	Size(L*W*H)
1	EXL-611L	12pcs	5.1kg / 5.6kg	370(L)*215(W)*250(H)mm
2	EXL-611L-HO	12pcs	5.9kg / 6.4kg	370(L)*215(W)*250(H)mm